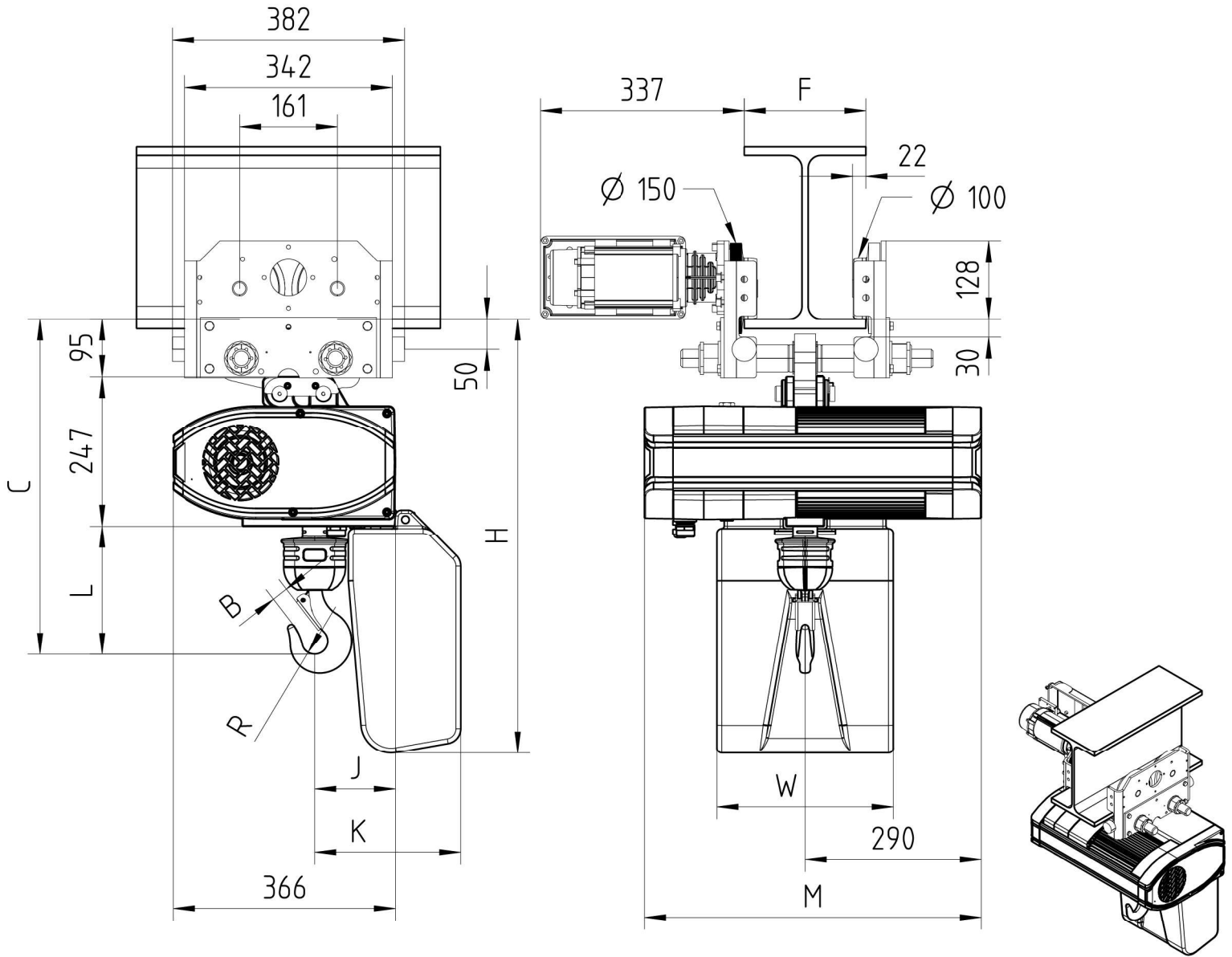


Accouplé à C3 chariot à direction électrique FNU (version perpendiculaire)
Fixed to C3 electric travel trolley FNU (perpendicular version)
Mit C3 Motorfahrwerk FNU (Quer zur Kettenzugachse)



Chain Size [mm]	Falls	Chain bag max capacity [m]	Max load kg	Dimensions [mm]								Weights [kg]					
				B	C	L	R	J	K	H	W	M		Weight of 3m of chain	Total weight w/o chain		
												CHAINster/ GLS	CHAINster GTDB		CHAINster	CHAINster GT	GLS
9X27	1	12	1600	26	552	210	22	133	240	716	290	554	668	5.31	144.3		
9X27	1	30	1600						315	891	300			5.31	144.3		
9X27	2	12	3200	35	678	336	25	175	282	716	290	554	668	5.31	147.8		
9X27	2	30	3200						357	891	300			5.31	147.8		
7X20	1	12	1250	28	599	257	21	133	240	716	290	554	668	3.36	143.6		
7X20	1	30	1250						315	891	300			3.36	143.6		

GLS = Gear Limit Switch
DB = Double Brake