

4.3 Low Headroom Hoist BC, REEVING 04

Technical Characteristics

Load (kg)	Frame	Falls	Duty ISO	Drum		Rope	Gear		Lifting Speeds				Traveling Speeds				
				Code	HOL (m)		Type	Ratio	Motor	Fixed speed (m/min)		tm / min	Gear Ratio	Motor	Fixed speed (m/min)		Wheel Diameter (mm)
										Low	High				Low	High	
4000	C	04	M6	B	6	D	F	160.3	P3	0.8	5	20	43.7	MF06MA104	5	20	100
				C	9												
5000	C	04	M5	B	6	D	F	160.3	P3	0.8	5	25	43.7	MF06MA104	5	20	100
				C	9												

Hoist dimensions

HOL (m)	Length code	M1 (mm)	H1 (mm)	H2 (mm)	H3 (mm)	H4 (mm)	TL (mm)	BUF (mm)	Weight (kg)
6	B	346	338	49	578	536	354	519	330
9	C	446	338	74	578	536	454	619	350

Motor dimensions

Motor	P3
MOT (mm)	468
Weight (kg)	35

Trolley dimensions

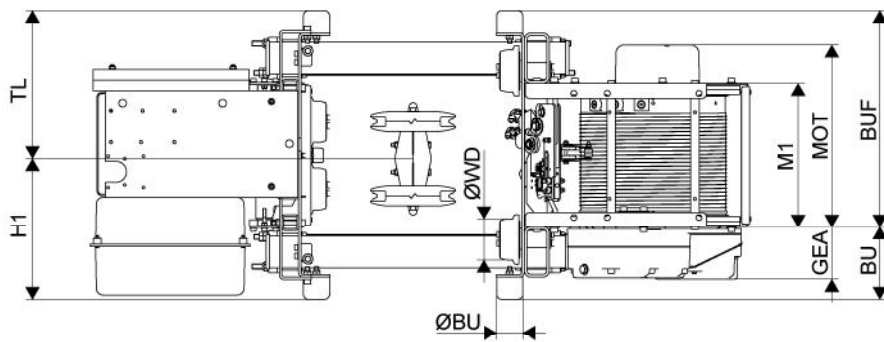
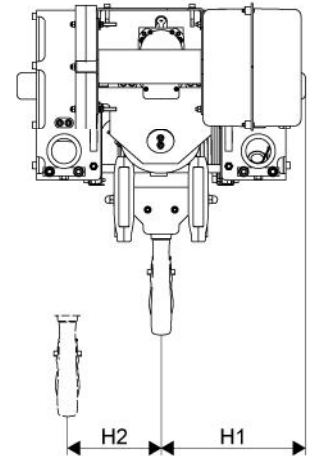
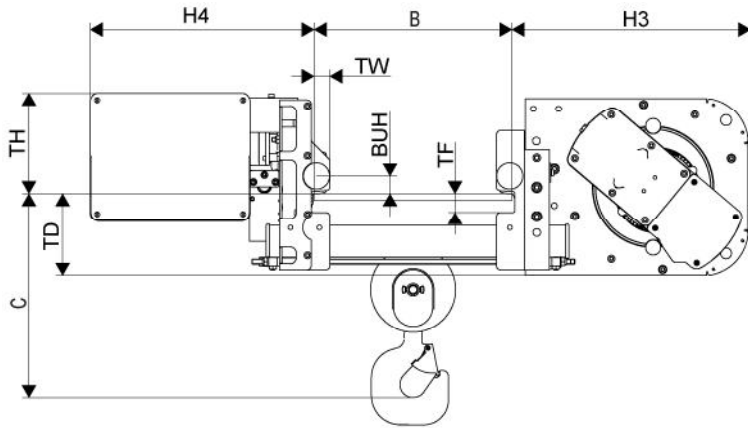
B min.	B max.	ØWD	ØBU	BU	BUH	GEA	TD	TF	TH	TW
100	490	100	63	173	42	126	203	45	241	38

D007558_A

C-dimensions

B	C
100	199
200	249
250	300
301	350
351	400
401	450
451	490

Note: All dimensions are in (mm).



D007558_A