

2.14 Double Girder Hoist BD, REEVING 04

Technical Characteristics

Load (kg)	Frame	Falls	Duty ISO	Drum		Rope	Gear		Lifting Speeds				Traveling Speeds			
				Code	HOL (m)		Type	Ratio	Motor	Fixed speed (m/min)		tm / min	Motor	Fixed speed (m/min)		Wheel Diameter (mm)
										Low	High			Low	High	
8000	D	04	M6	D	9	G	F	185.3	P5	0.8	5	40	2pcs MF06LA104	5	20	110
10000	D	04	M5	D	9	G	F	185.3	P5	0.8	5	50	2pcs MF06LA104	5	20	110
12500	D	04	M4	D	9	G	E	223.8	P5	0.7	4	50	2pcs MF06LA104	5	20	110

Hoist dimensions

HOL (m)	Length code	M1 (mm)	M2 (mm)	H1 (mm)	H2 (mm)	R (mm)	Weight (kg)
9	D	548	408	640	88	1400	670
12	E	668	408	640	118	1400	700

Motor dimensions

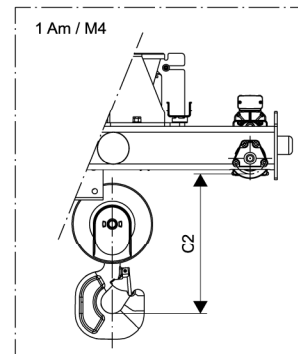
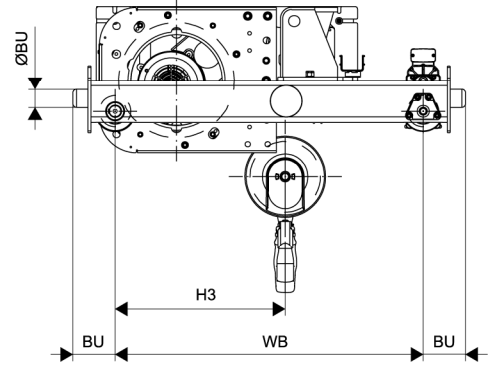
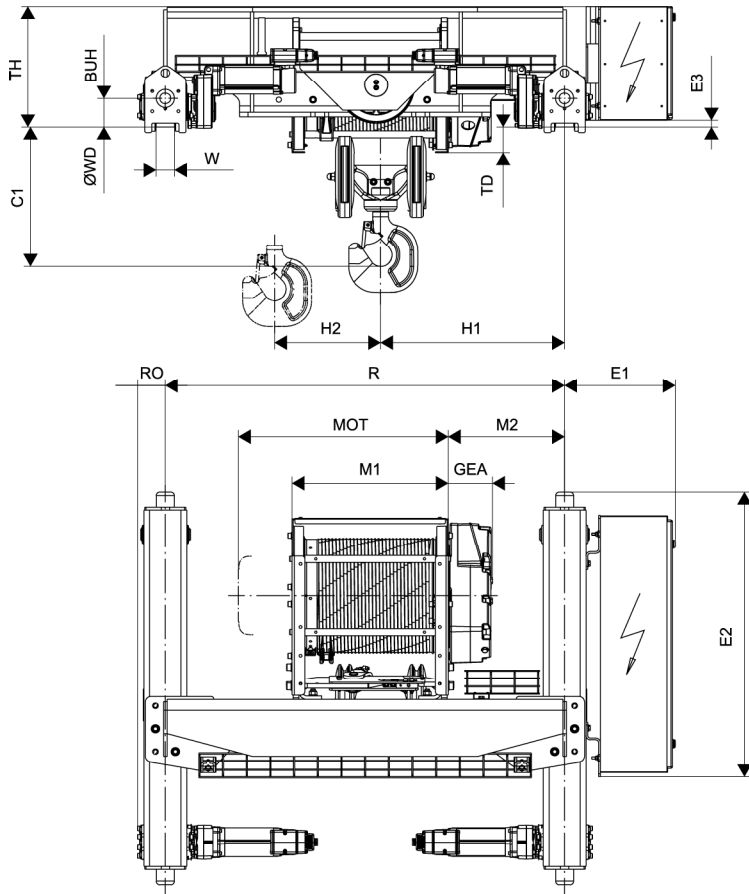
Motor	P5
MOT (mm)	573
Weight (kg)	58

Trolley dimensions

C1	C2	ØBU	BU	BUH	E1	E2	E3	GEA
465	521	63	148	100	382	1028	15	155
H3	WB	ØWD	W min	W max	RO	TD	TH	
585	1080	110	52	87	98	90	426	

D007571_A

Note: All dimensions are in (mm).



D007571_A