

## 81 FIXED HOIST NC, REEVING: 02

### Hoist dimensions

HOL m	Length code	M1 mm	M2 mm	H1 mm	H2 mm	H3 mm	H3* mm	R mm	Weight kg
12	B	356	153	239	98	528	544	560	195
18	C	456	53	139	147	528	544	560	205
24	D	556	53	139	196	528	544	780	220
30	E	676	53	139	256	528	544	780	240

### Motor dimensions

Motor	P3	P4	A3	S3	S5
MOT (mm)	473	574	443	523	602
Weight (kg)	35	53	32	28	53

### Trolley dimensions

C	ØF	E3	F1	F3	GEA	H4	RO	TH			
240	18	148	42	120	116	460	20	444			

D002086\_A  
062134

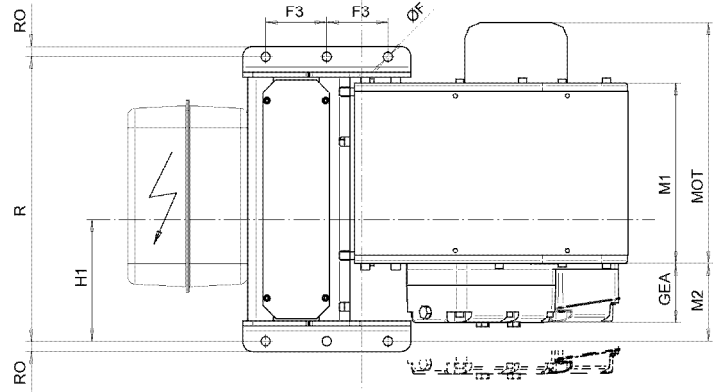
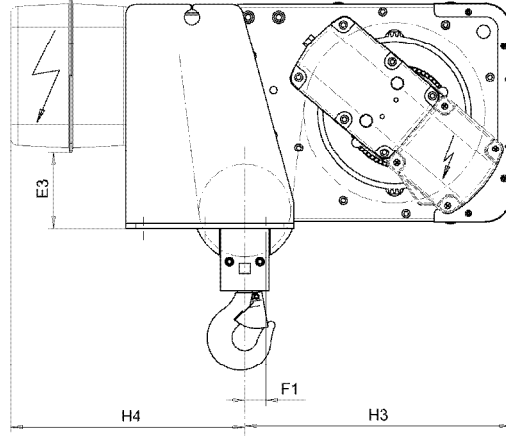
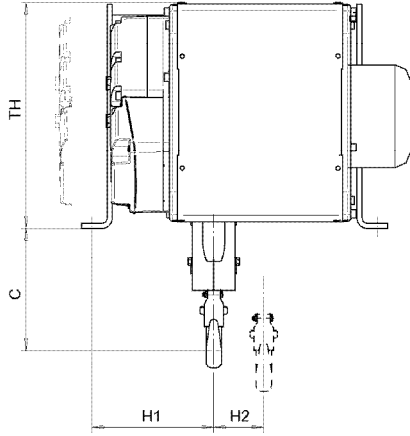
Note: All dimensions in mm.

Note: Weight calculated with P3 motor.

Note: Motor S5 is unavailable for load class 3200 kg.

\* Please, disregard the dimension H3\*.

Fixed Hoist NC, REEVING: 02



D002086-A