

## 50 NORMAL HEADROOM HOIST NB, REEVING: 02

### Hoist dimensions

HOL m	Length code	M1 mm	H2 mm	H3 mm	H3* mm	BF mm	Weight kg
12	A	326	90	447	462	58	250
19	C	456	144	447	462	58	270

### Motor dimensions

Motor	P1	P2	P3	A3	S3
MOT (mm)	386	446	476	446	526
Weight (kg)	21	31	35	32	28

### Travelling dimensions

Motor	MF06LA
TMO (mm)	400
Weight (kg)	7.8

### Trolley dimensions

B min.	B max.	C	ØBU	ØWD	BU	BUF	BUH	E1	E2	GEA	H1
100	450	740	63	100	253	412	40	241	372	110	190
H4	M2	TF	TD	TH	TW						
633	96	45	557	150	31						

D002077\_A  
062129

### Minimum track radius

B	Min R
100 - 109	2500
110 - 119	2000
120 - 450	1500

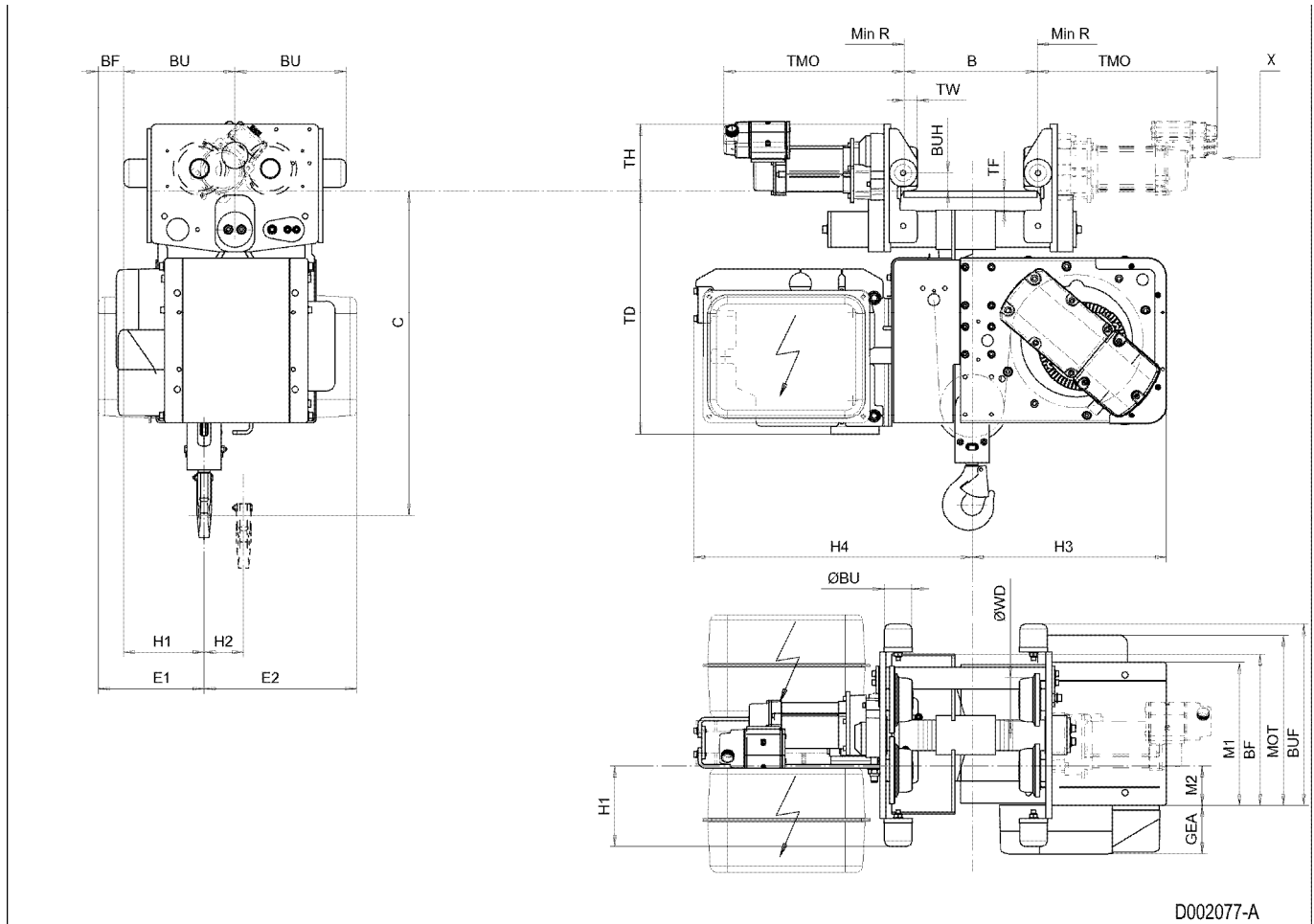
Note: All dimensions in mm.

Note: Weight calculated with P1 motor when B=300 mm.

Note: Additional travelling machinery for curved track (option) indicated with an 'X' in the drawing.

\* Please, disregard the dimension H3\*.

Normal Headroom Hoist NB, REEVING: 02



D002077-A