

## 60 NORMAL HEADROOM HOIST ND, REEVING: 06

### Hoist dimensions

HOL m	Length code	M1 mm	H1 mm	H2 mm	H3 mm	H3* mm	Weight kg
6	D	558	556	53	605	625	1030
8	E	678	556	78	605	625	1050
10	F	828	596	98	605	625	1140
13	G	1018	596	132	605	625	1195

### Motor dimensions

Motor	P5	P6	P7	A5	S5	S7
MOT (mm)	578	578	618	498	606	757
Weight (kg)	58	85	105	45	53	81

### Travelling dimensions

Motor	MF06MA	MF06LA
TMO (mm)	360	400
Weight (kg)	5.7	7.8

### Trolley dimensions

B min	B max	C	ØBU	ØWD	BU	BUH	GEA	H4	M2	TD	TF
110	610	1413	63	125	288	40	143	612	33	716	40
TH	TW										
170	41.5										

D007206\_A  
124578

### Trolley dimensions

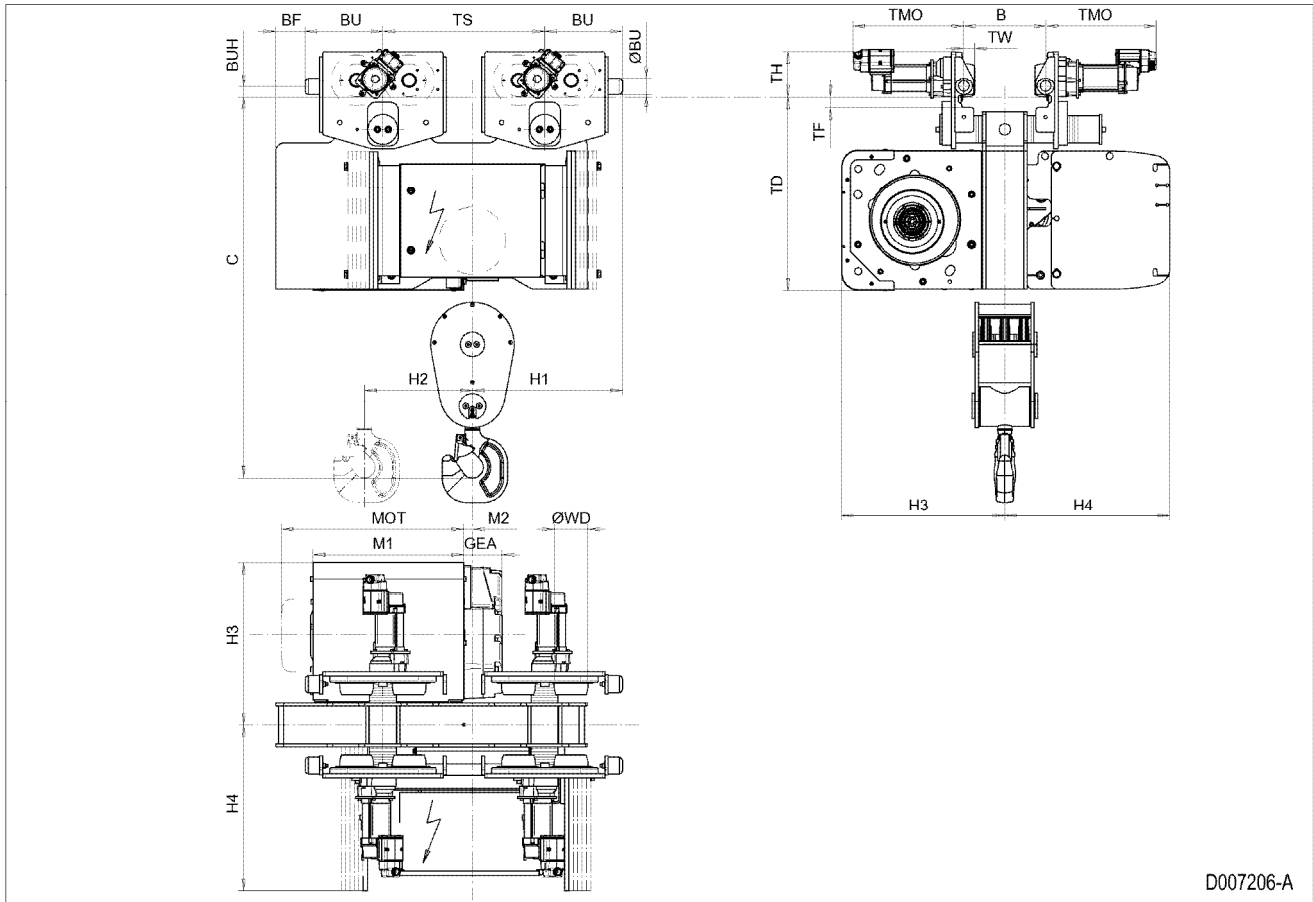
Length code	BF	TS
D/E	110	600
F/G	370	720

Note: All dimensions in mm.

Note: Weight calculated with P5 motor, when B=300 mm

\* Please, disregard the dimension H3\*.

Normal Headroom Hoist ND, REEVING: 06



D007206-A